

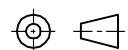

CABLE LENGTH	TOLERANCE*
ALL LENGTHS	+ 4% (OR 50mm) OF LENGTH - 0% (OR 0mm) OF LENGTH WHICHEVER IS GREATER
STRIP LENGTH	TOLERANCE*
0-7mm	±0.5mm
8-29mm	±1.0mm
30-49mm	±2.0mm
50-69mm	±3.0mm
70-100mm	±4.0mm
OVER 100mm	±5.0mm

\* UNLESS OTHERWISE SPECIFIED

NOTES:

- "\*" INDICATES CABLE LENGTH IN METERS. CONTACT TURCK TO ORDER SPECIFIC LENGTHS.
- "/S1587" DESIGNATES WELDLIFE CABLE.

**SOURCE DRAWING - FOR REFERENCE ONLY**

RELATED DOCUMENTS 1. 2. 3. 4.	3RD ANGLE PROJECTION 	THIS DRAWING IS CONFIDENTIAL AND THE PROPERTY OF TURCK INC. USE OF THIS DOCUMENT WITHOUT WRITTEN PERMISSION IS PROHIBITED.	3000 CAMPUS DRIVE MINNEAPOLIS, MN 55441 1-800-544-7769 (763) 553-7300 (763) 553-0708 fax www.turck.us		DESCRIPTION <b>VB2-RSC 4.4T-*/2FKM 4/S1587</b>
MATERIAL	SEE SPECIFICATIONS	DRFT RDS	DATE 09/10/09	UNIT OF MEASUREMENT	
FINISH	SEE SPECIFICATIONS	APVD	SCALE 1=1.0	MILLIMETER [ INCH ]	
CONTACT TURCK FOR MORE INFORMATION		DO NOT SCALE THIS DRAWING		IDENTIFICATION NO.	REV
		FILE: 777025213		D	

D	UPDATED M12 MALE CTA PER ECO	TV	11/16/16	52506
REV	DESCRIPTION	BY	DATE	ECO NO.